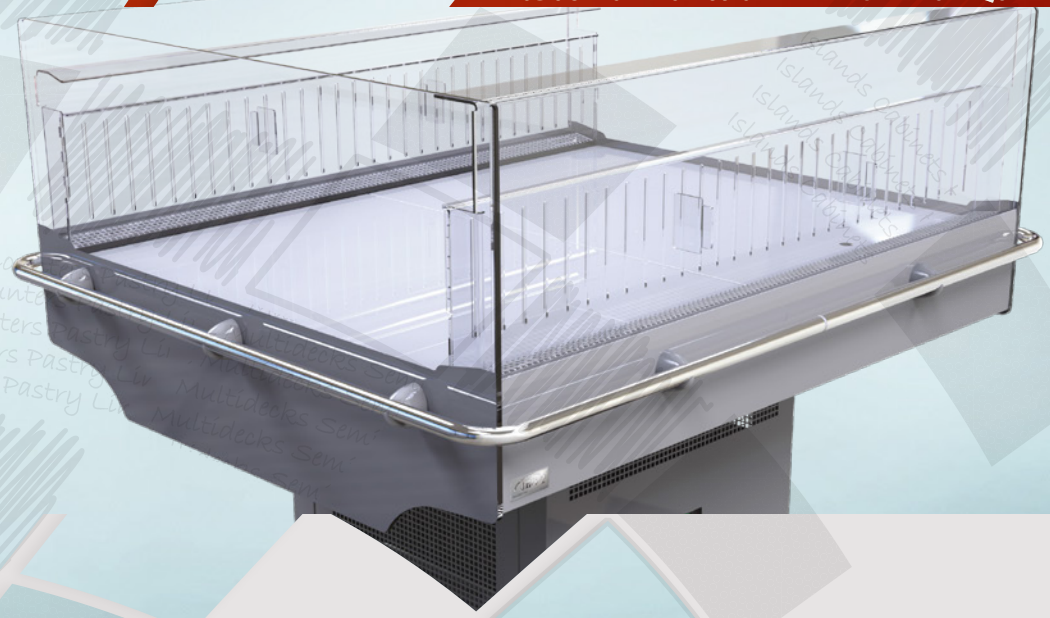




PRODUCER OF PROFESSIONAL REFRIGERATION EQUIPMENT

# PLUG-IN COLLECTION



Counters  
Counters  
Counters Pastry  
Counters Pastry  
Multidecks  
Multidecks

Islands Cabinets  
Islands Cabinets  
Islands Cabinets

# Medium **RDM** -[module]- **10**

- :D - cooling, fan-assisted unit
- :N - freezing, fan-assisted unit
- :S - cooling, static unit
- :M - freezing, static unit
- :G - hot cases

[module]  
length

name  
of the product range

first letter  
of the name  
of the product  
range

identifies  
the model

- :L - counter
- :R - multideck
- :S - cabinet
- :W - island
- :M - mix cabinets

## COUNTERS

Grazia	LDG-[module]-04.....	5
Grazia	LDG-[module]-05/06.....	7
Grazia	LDG-[module]-07.....	9
Grazia	LDG-[module]-25.....	11
Grazia	LDG-[module]-27.....	13
Grazia	LNG-[module]-05.....	15
Grazia	LNG-[module]-25.....	17
Lhotse	LDL-[module]-37z.....	19
Holland	LDH-[module]-16.....	21
Galaxy	MDG-[module]-03.....	23

## PASTRY LINE

Elegant	RDE-[module]-01.....	27
Elegant	RDE-[module]-02.....	29
Elegant	RDE-[module]-04.....	31
Elegant	RDE-[module]-21.....	33
Elegant	RDE-[module]-22.....	35
Elegant	RDE-[module]-31.....	37
Elegant	RDE-[module]-33/35.....	39
Galaxy	MDG-[module]-01/02.....	41

## MULTIDECKS

Medium	RDM-[module]-10.....	45
Medium	RDM-[module]-15.....	47
Medium	RDM-[module]-16.....	49
Medium	RDM-[module]-17.....	51
Medium	RDM-[module]-18.....	53
Medium	RDM-[module]-19.....	55
Medium	RDM-[module]-20.....	57
Medium	RDM-[module]-21.....	59
Kaukaz	RDK-[module]-11.....	61
Kaukaz	RDK-[module]-15.....	63
Tarcoola	RDT-[module]-L2.....	65
Laki	RDL-[module]-S1.....	67
Gerlach	RDG-[module]-L4z.....	69

## SEMI VERTICAL MULTIDECKS

Atlanta	RDA-[module]-10.....	73
Atlanta	RDA-[module]-20.....	75
Andy	RDA-[module]-15.....	77

## PROMOTION

Fidzi	LDF-[module]-07/13.....	81
Fidzi	LDF-[module]-11.....	83
Fidzi	LDF-[module]-12.....	85
Fidzi	LDF-[module]-15.....	87
Fidzi	LDF-[module]-16.....	89
Fidzi	LDF-[module]-17.....	91
Fidzi	LDF-[module]-18.....	93
Fidzi	LDF-[module]-19.....	95
Fidzi	LDF-[module]-20.....	97
Fidzi	LDF-[module]-21.....	99
Fidzi	LDF-[module]-22.....	101
Fidzi	LDF-[module]-25.....	103
Fidzi	LSF-[module]-06.....	105

## ISLANDS

Pamir	WDP/WNP-[module]-01.....	109
Pamir	WDP-[module]-08.....	111
Pamir	WDP/WNP-[module]-09.....	113
Pamir	WNP-[module]-04.....	115
Pamir	WNP-[module]-07.....	117
Pamir	WNP-[module]-10.....	119
Idea	WNI-[module]-05.....	121
Dolomiti	WMD-[module]-01/02.....	123
Superstructure	.....	125

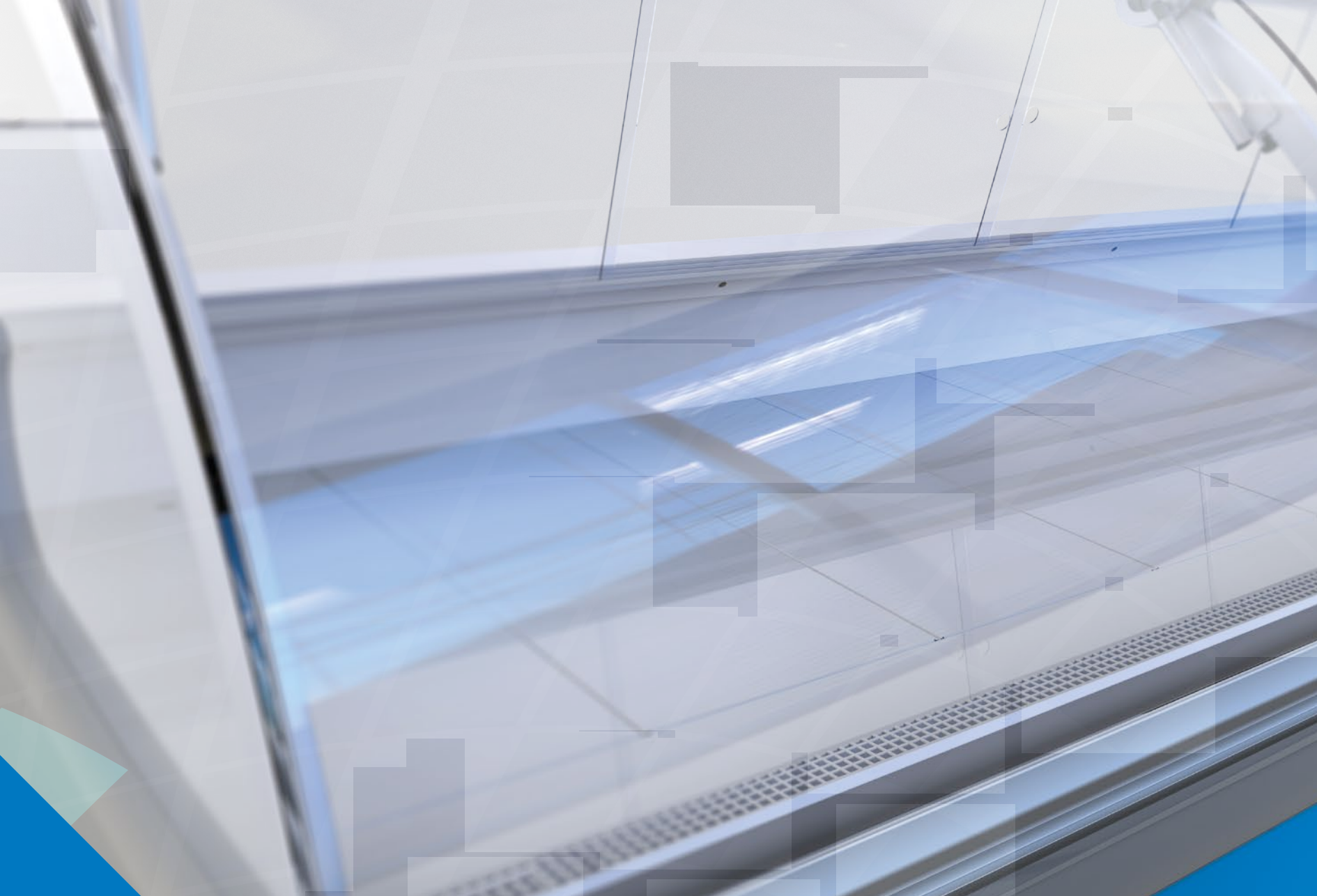
## CABINETS and MIX CABINETS

Forez	SNF-[module]-G1/G2.....	129
Wetar	SNW/SDW-[module]-L2/L3.....	131
Wetar	SNW-[module]-02.....	133
Weno	MNW-[module]-01.....	135

## HOT CASES

Hot Cases	RGE-[module]-01.....	139
Hot Cases	RGE-[module]-21.....	141
Hot Cases	RGE-[module]-31.....	143
Hot Cases	LGG-[module]-04.....	145
Hot Cases	LGL-[module]-07.....	147
Hot Cases	LGL-[module]-27.....	149
Hot Cases	LGG-[module]-27.....	151

INDEX.....	152
------------	-----







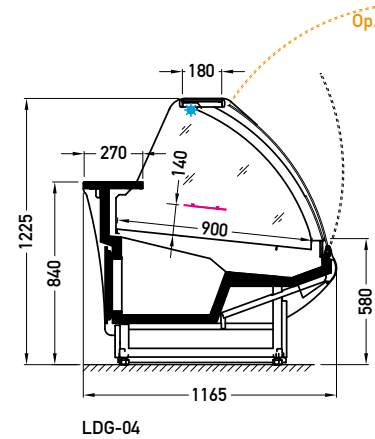
# Counters

We focus not only on the display of the product, but also ergonomic and multifunctional use. We have created better conditions for product storage, easier cleaning and flexibility in changing the product from with service to self-service.

# Grazia



# PLUG-IN



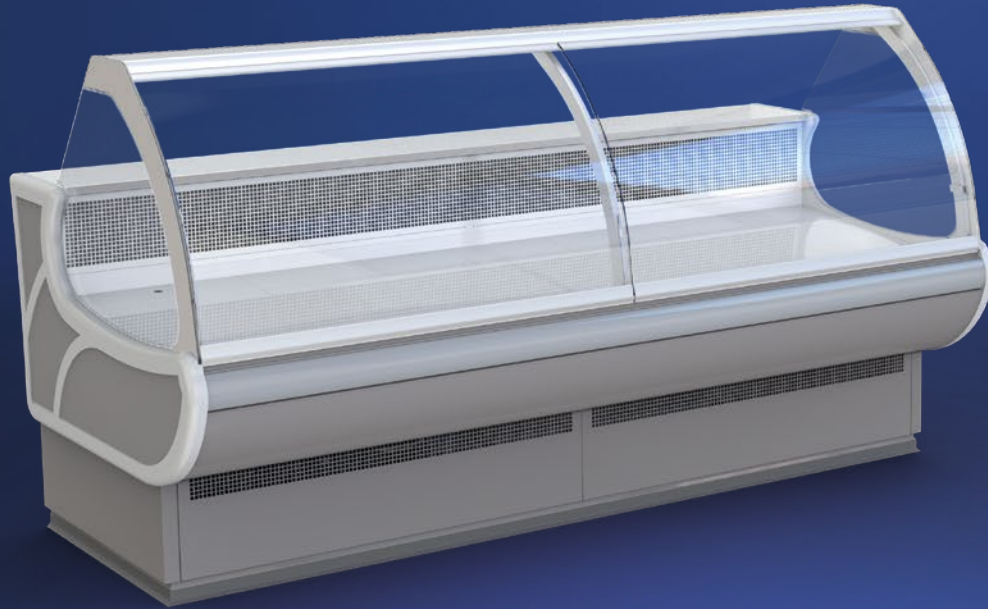
corners

modules

NZ45 NZ90 NW45 NW90

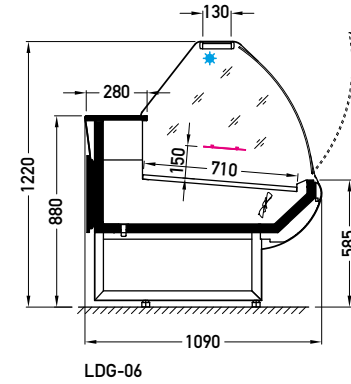
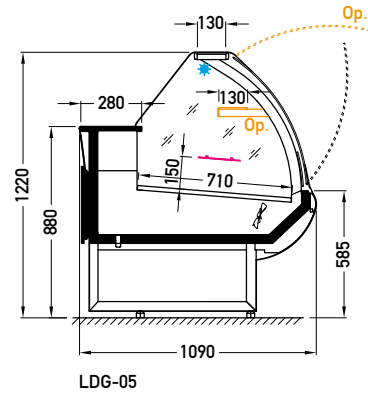
0.938 1.25 1.56 1.875 2.19 2.5 3.75

# Grazia



# PLUG-IN

The picture shows LDG-2,5-05  
 • LDG-06 without possibility to connect in line



corners

modules

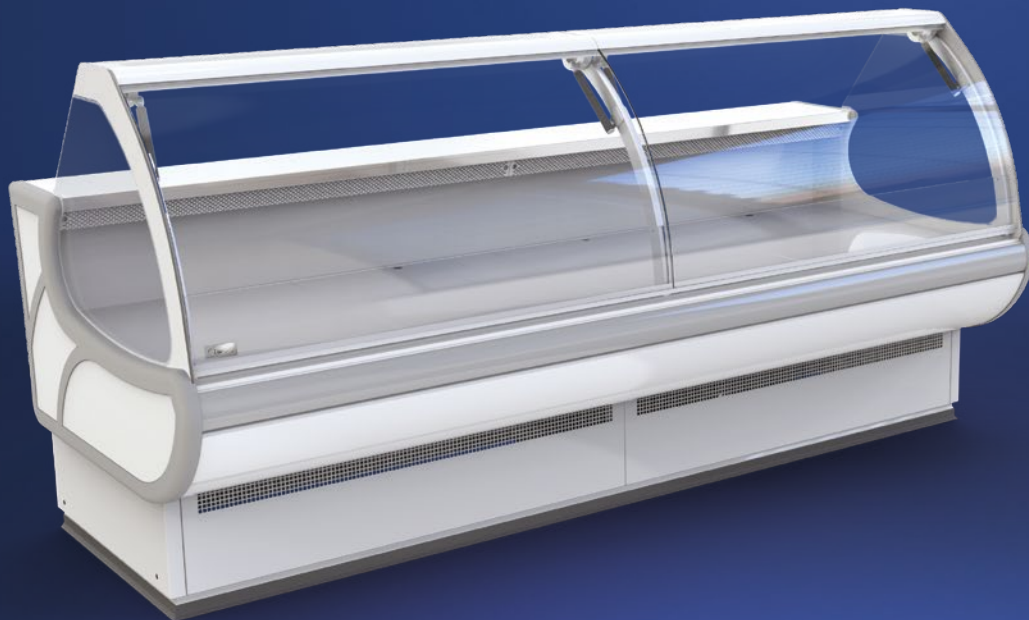
LDG-05

NZ45 NZ90 NW45

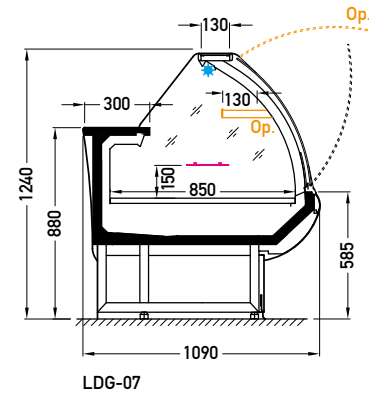
1.2 1.5 1.7 2.0 2.5 3.0



# Grazia



# PLUG-IN

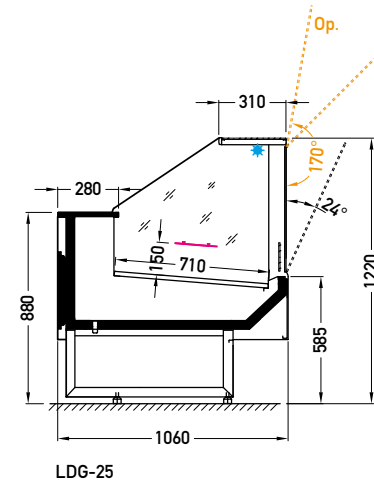


# Grazia



10

# PLUG-IN



corners

modules

NZ45 NZ90 NW45

1.2 1.5 1.7 2.0 2.5 3.0

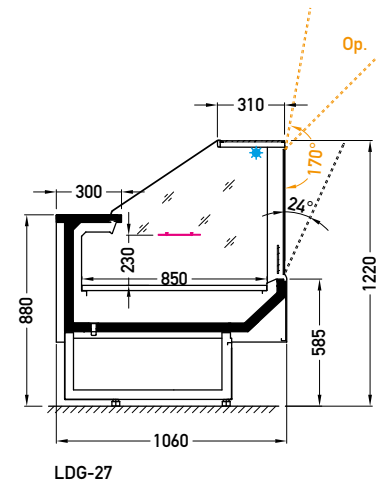
# Grazia



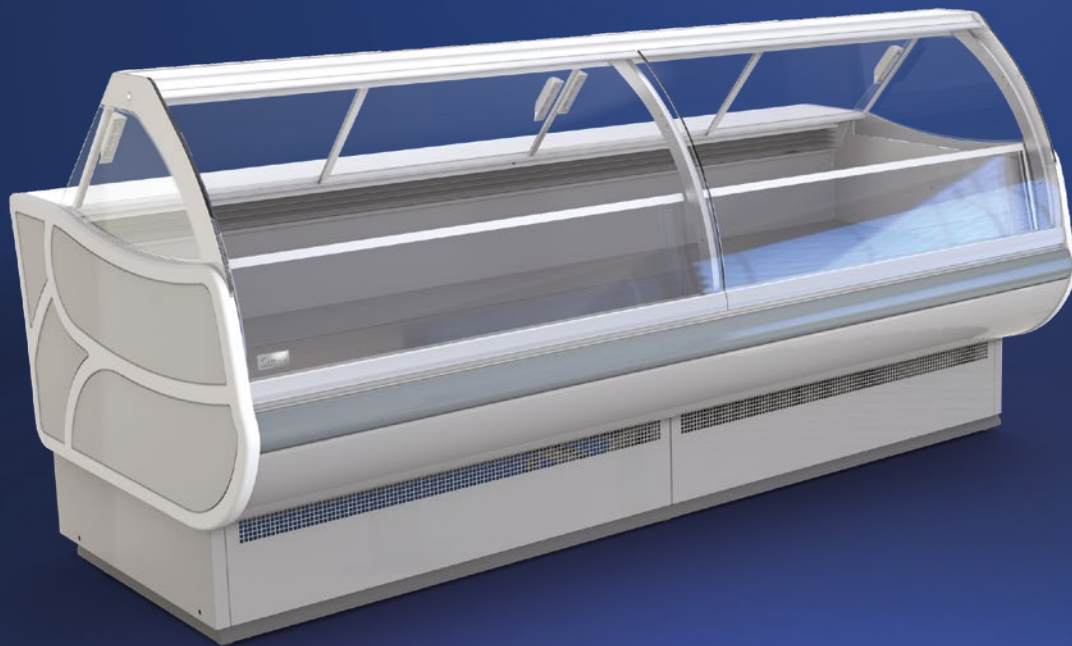
12



# PLUG-IN

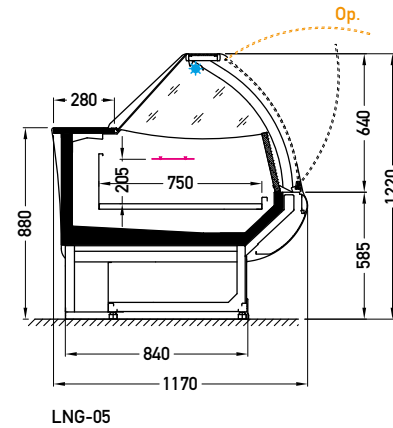


# Grazia



# PLUG-IN

The freezing unit



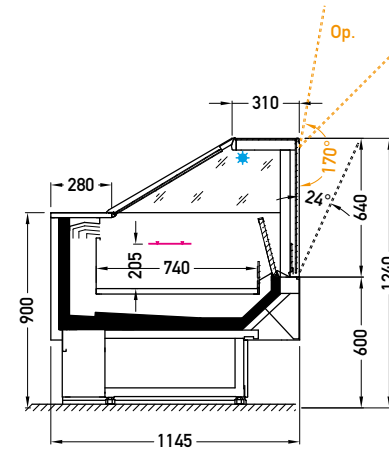
LNG-05

# Grazia



# PLUG-IN

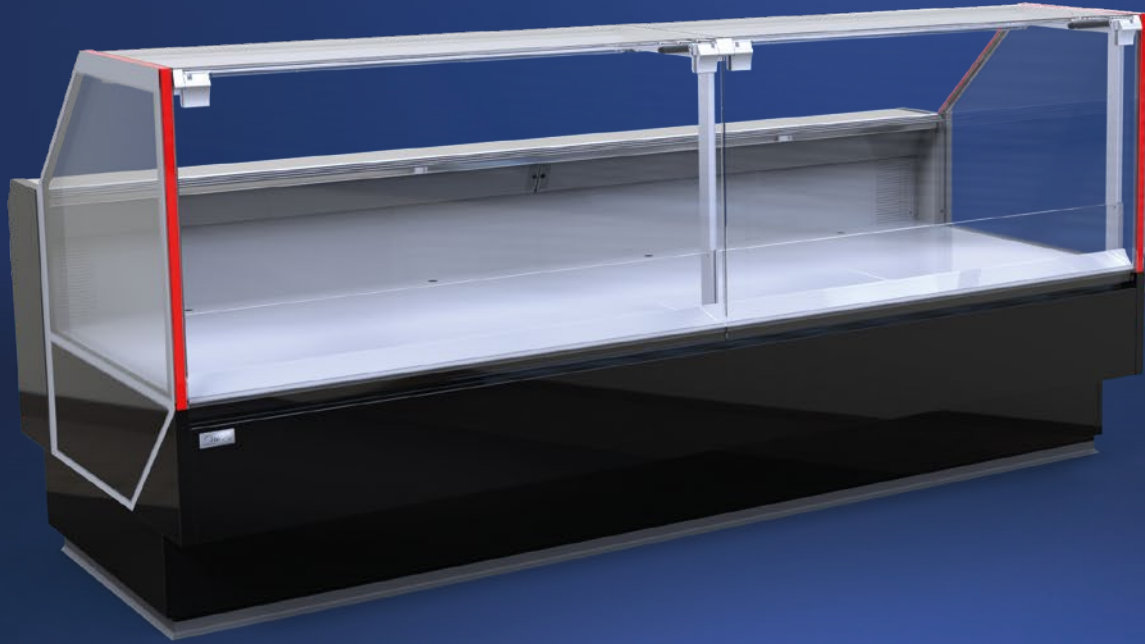
The freezing unit



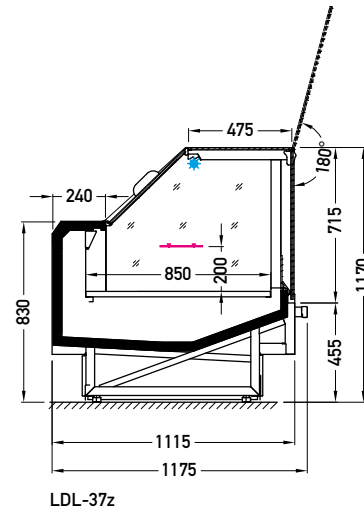
LNG-25



# Lhotse



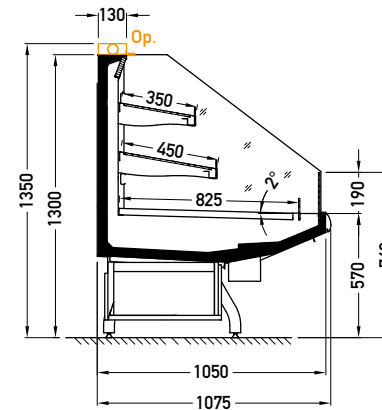
# PLUG-IN



# Holland



# PLUG-IN



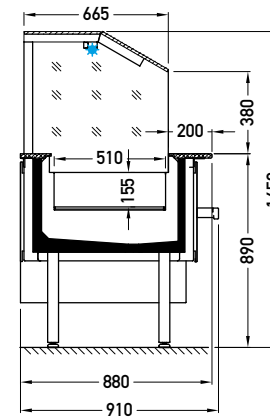
LDH-16

# Galaxy

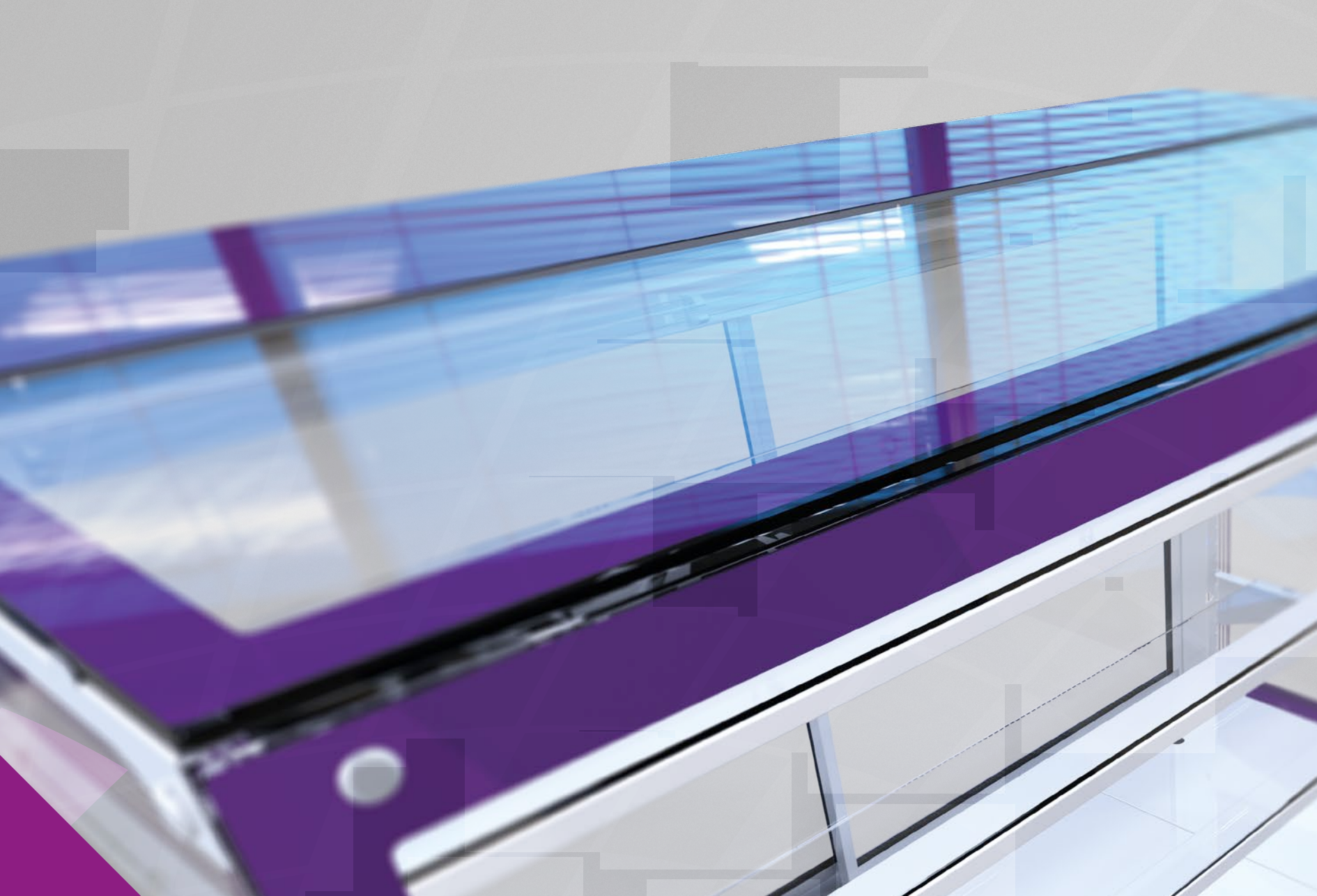




# PLUG-IN



MDG-03







# Pastry Line

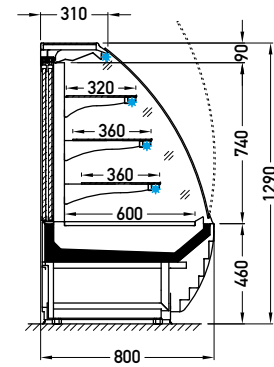
Celebrating special occasions. Birthday cake for your toddler. Sweet surprise for your sweetheart. Christmas cake, glazed gingerbreads, treats for special moments. Display of these special goods must be perfect. That's why our pastry line is an elegant combination of perfect lighting, transparent clear glass and elegant design.

# Elegant



26

# PLUG-IN



RDE-01

corners

modules

NZ45 NW45

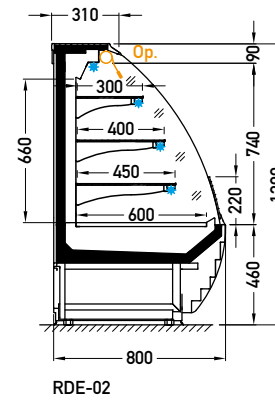
0.6 0.9 1.4

# Elegant



28

# PLUG-IN





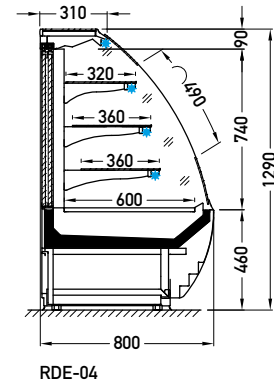
# Elegant



30



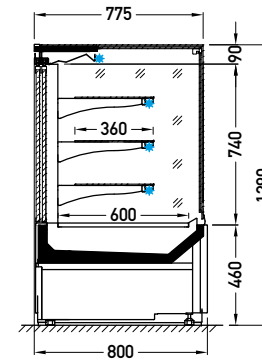
# PLUG-IN



# Elegant



# PLUG-IN

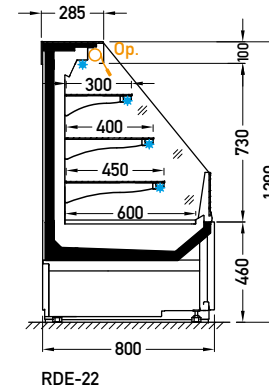


RDE-21

# Elegant



# PLUG-IN

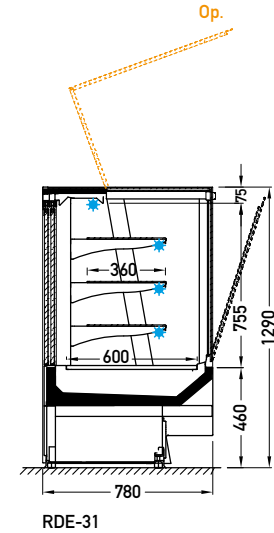


# Elegant



36

# PLUG-IN



NZ90

0.6 0.9 1.4

corners

modules

37

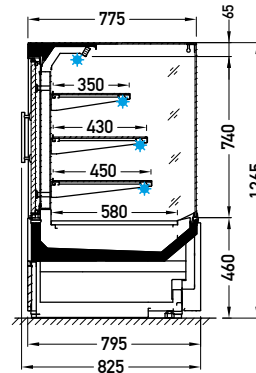
Pastry Line

# Elegant

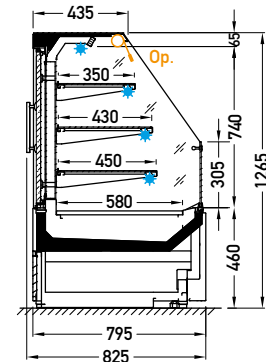




# PLUG-IN

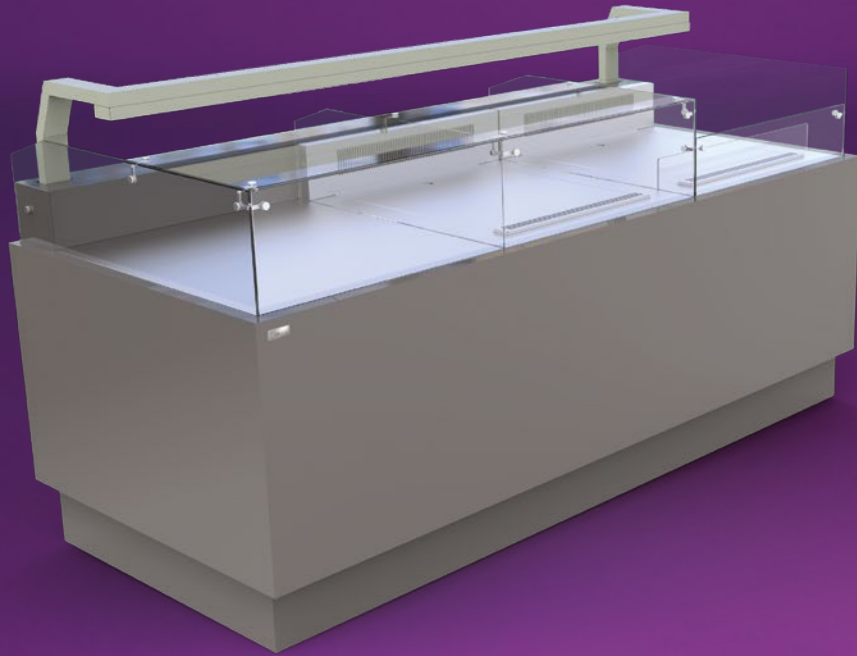


RDE-33



RDE-35

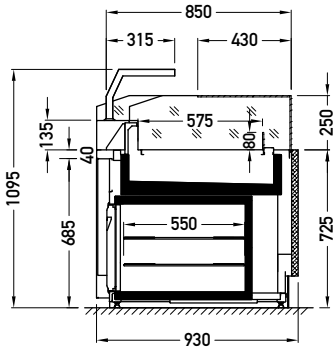
Mix



40

# PLUG-IN

The picture shows MDG-2.0-01



MDG-01/02

modules

MDG-01

1.35 2.0

modules

MDG-02

1.35





# Multidecks

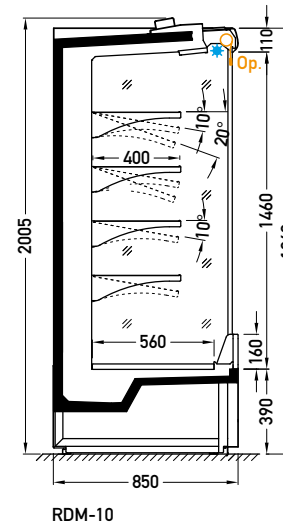
Our desire for continuous improvement and innovation has led us to develop systems and solutions that reduce environmental impact. That is why we have developed a system that eliminates defrost cycle and lowers the energy use.



# Medium



# PLUG-IN



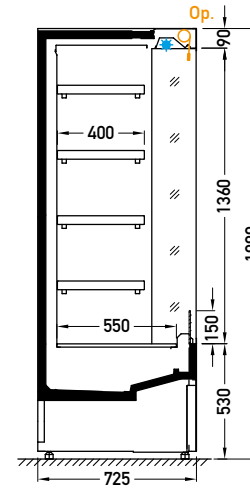
# Medium



46



# PLUG-IN



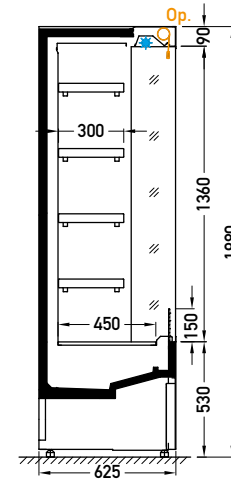
RDM-15

# Medium



48

# PLUG-IN



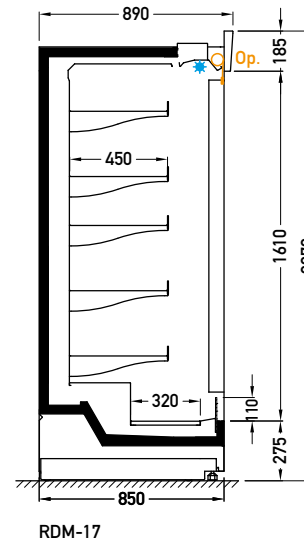
RDM-16

# Medium



50

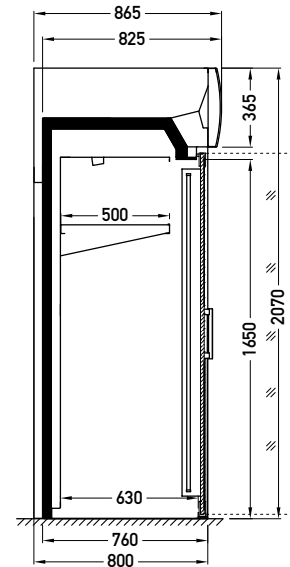
# PLUG-IN



# Medium



# PLUG-IN



RDM-18

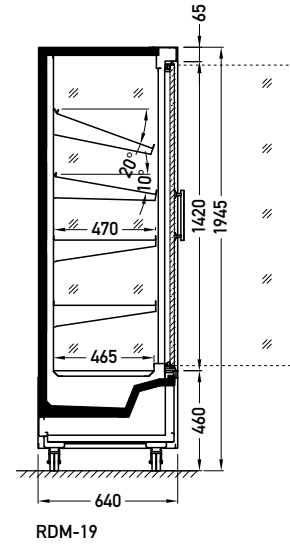
# Medium



54



# PLUG-IN

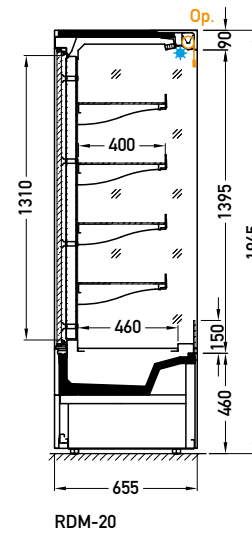


# Medium



56

# PLUG-IN

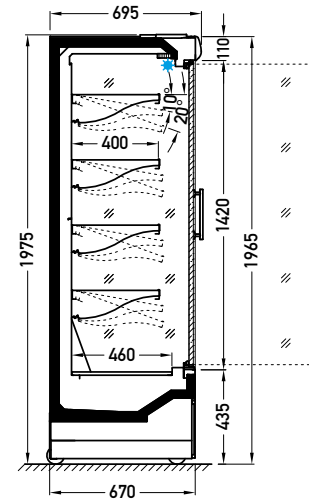


# Medium



58

# PLUG-IN



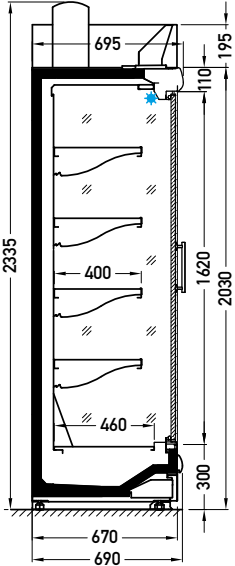
RDM-21

# Kaukaz



60

# PLUG-IN



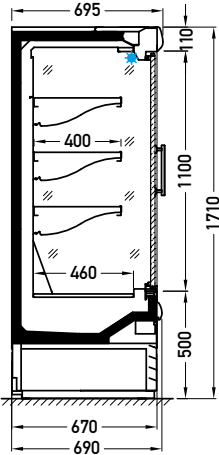
RDK-11



# Kaukaz

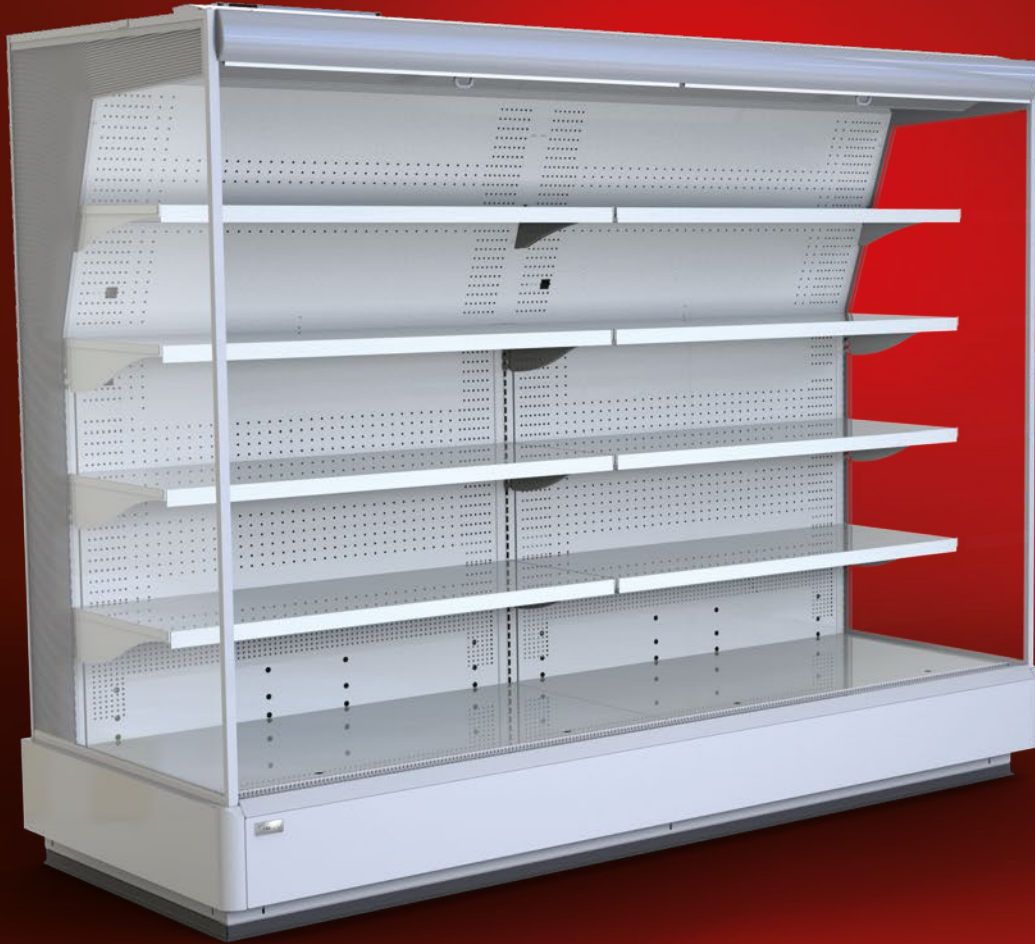


# PLUG-IN

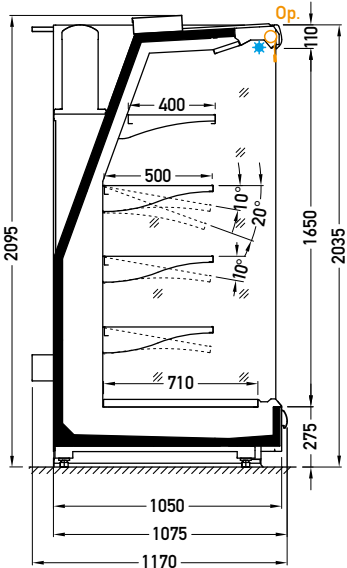


RDK-15

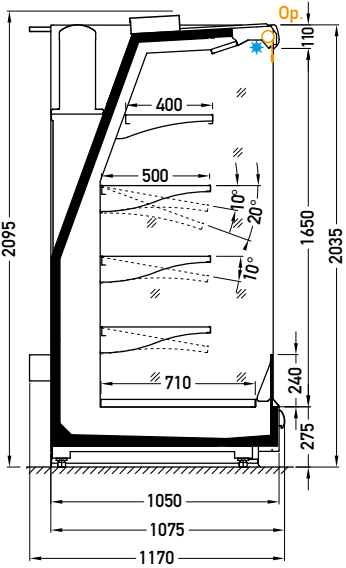
# Tarcoola



# PLUG-IN



RDT-L2



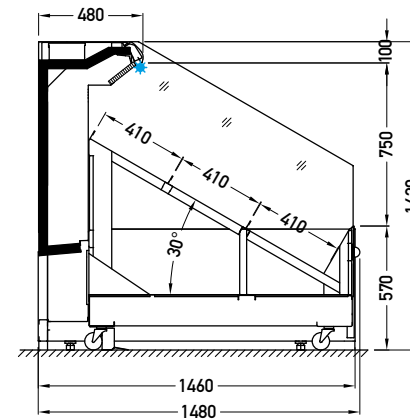
RDT-L2

# Laki



66

# PLUG-IN



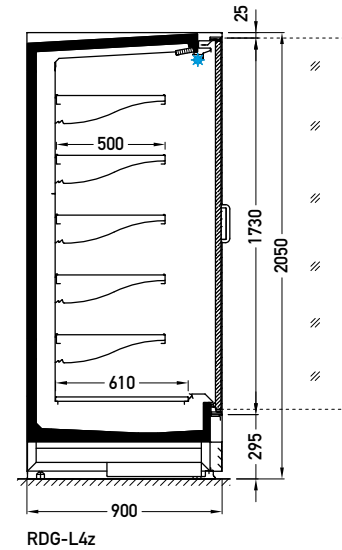
RDL-S1

# Gerlach



68

# PLUG-IN









# Semi Vertical Multidecks

This range of lower height multidecks has been designed to combine compact size and large display area. This solution provides a variety of options for store layout.

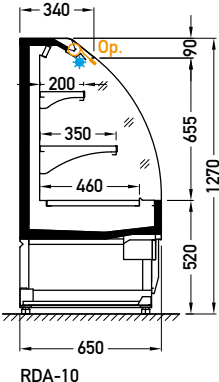


# Atlanta



72

# PLUG-IN

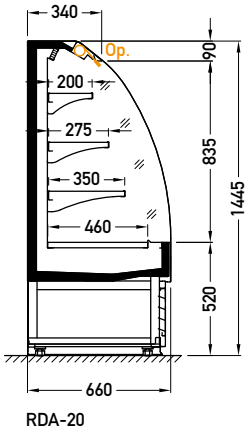


# Atlanta



74

# PLUG-IN

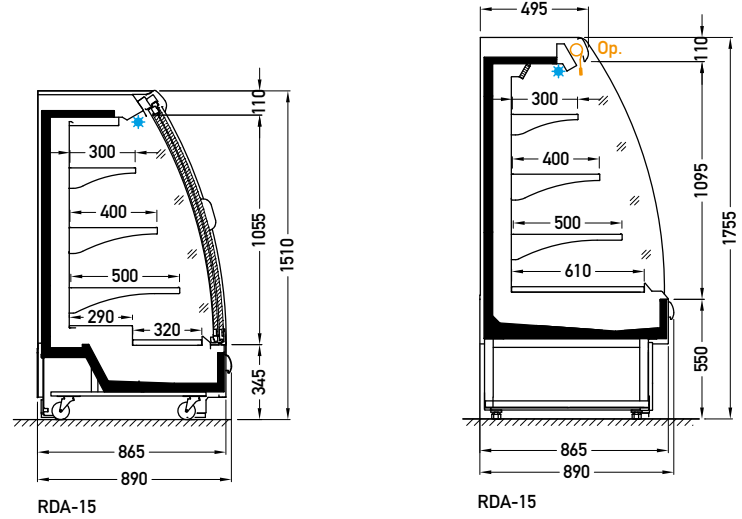


# Andy



76

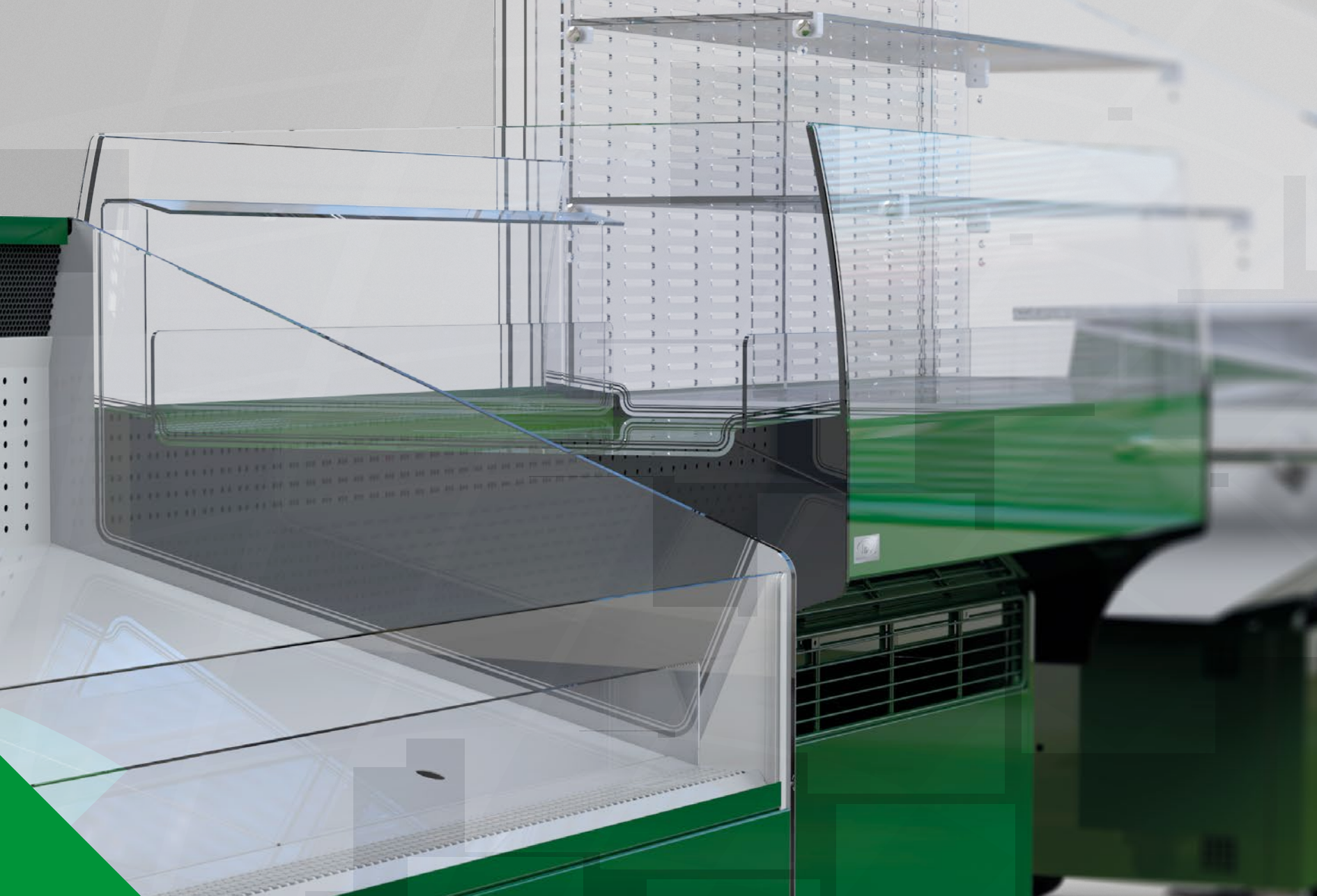
# PLUG-IN



RDA-15

RDA-15







A promotional cart with a green and white color scheme. It features a curved display arm that holds a white product display. The cart is on wheels and has a green front panel. The background is a blurred store interior.

# Promotion

Promotional equipment places your products within arm's reach. They are designed to improve impulse purchase, combining small size with huge selling power. Good product display, high mobility and clever design of equipment, makes promotions more effective.

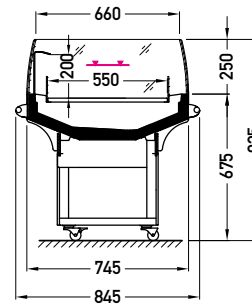
# Fidzi



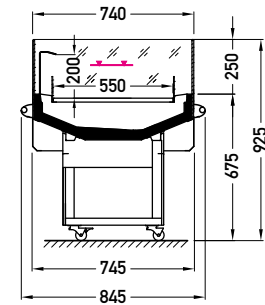
80

# PLUG-IN

The picture shows LDF-0.9-07

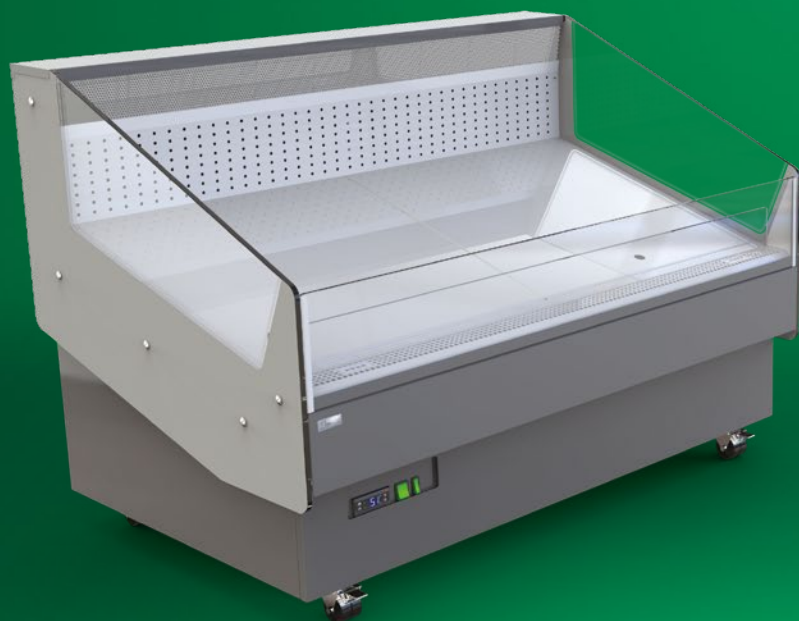


LDF-07

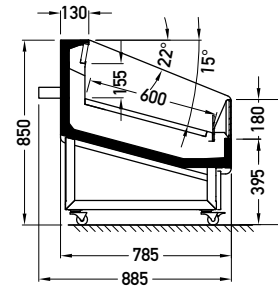


LDF-13

# Fidzi



## PLUG-IN

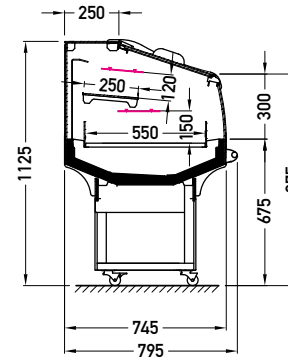


LDF-11

# Fidzi



# PLUG-IN



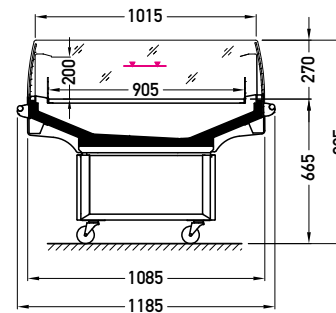
LDF-12



# Fidzi

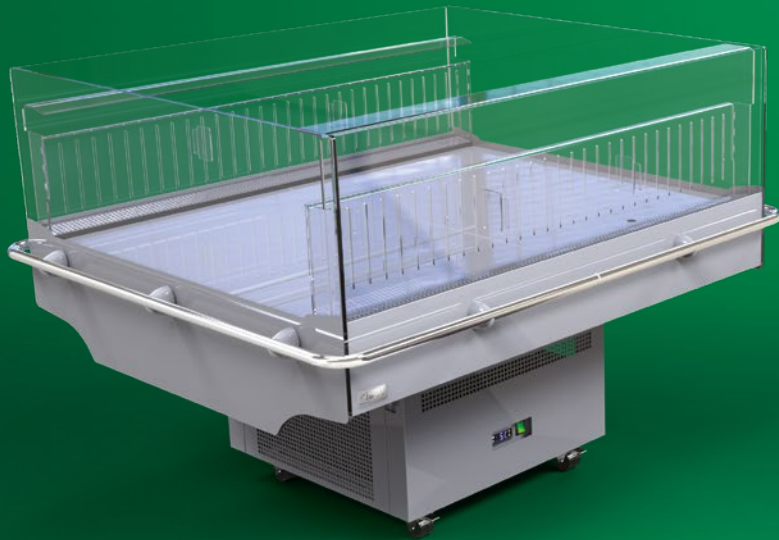


# PLUG-IN

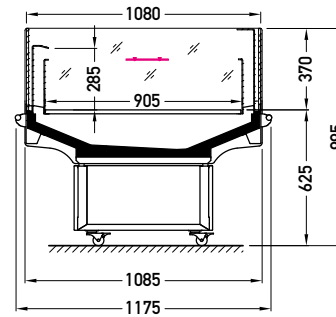


LDF-15

# Fidzi



## PLUG-IN



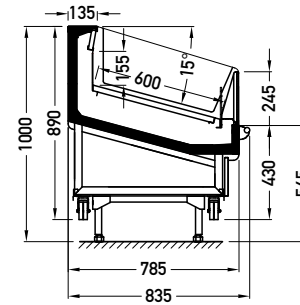
LDF-16

# Fidzi



90

## PLUG-IN

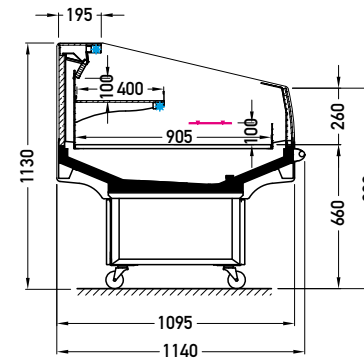


LDF-17

# Fidzi



# PLUG-IN



LDF-18

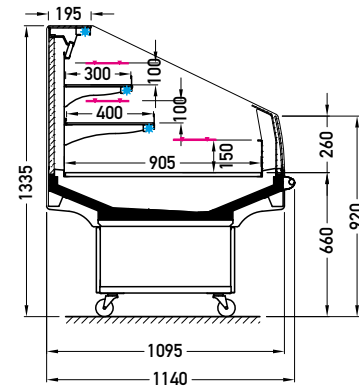


# Fidzi



94

# PLUG-IN

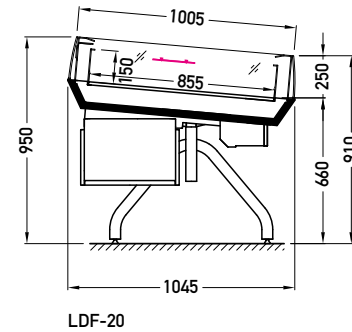


LDF-19

# Fidzi



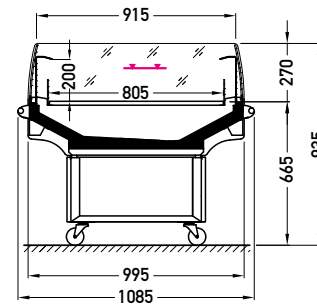
# PLUG-IN



# Fidzi



# PLUG-IN



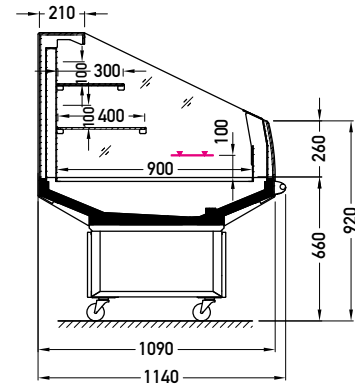
LDF-21

# Fidzi



100

# PLUG-IN



LDF-22

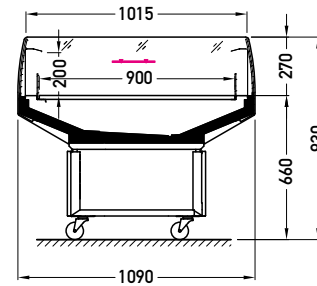


# Fidzi



102

# PLUG-IN



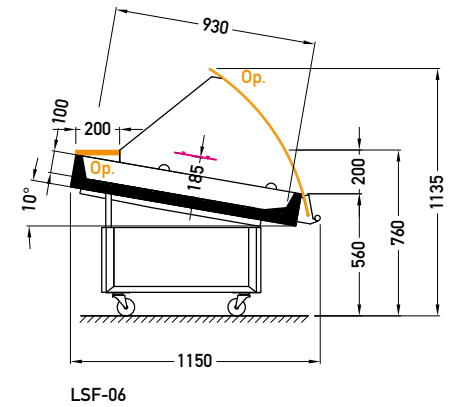
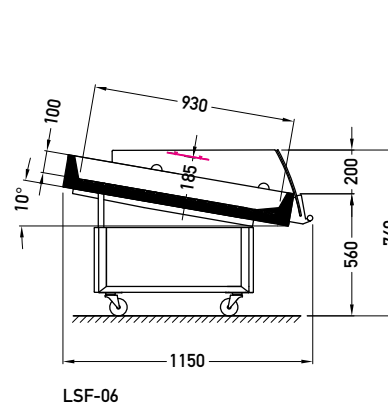
LDF-25

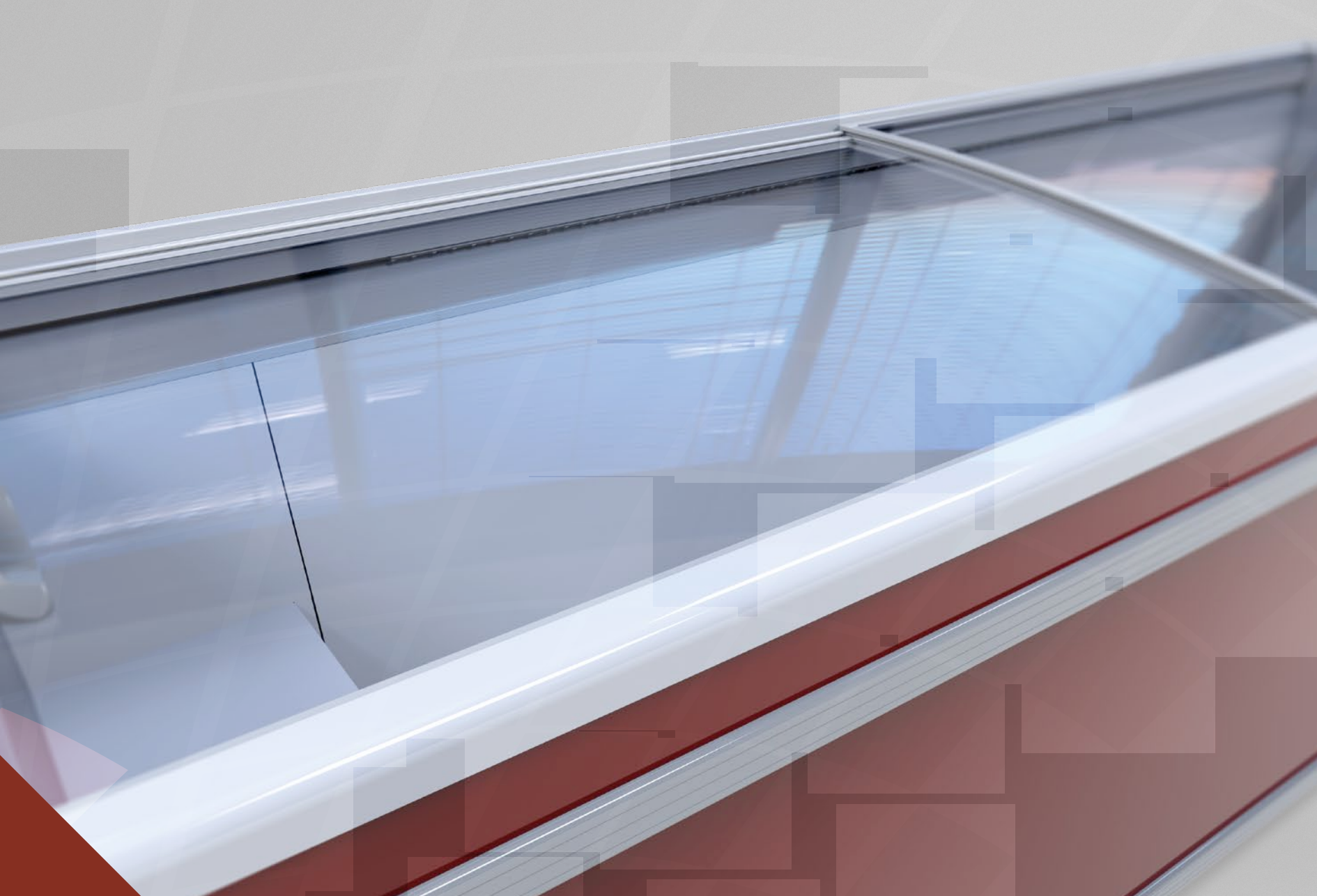
# Fidzi



104

# PLUG-IN





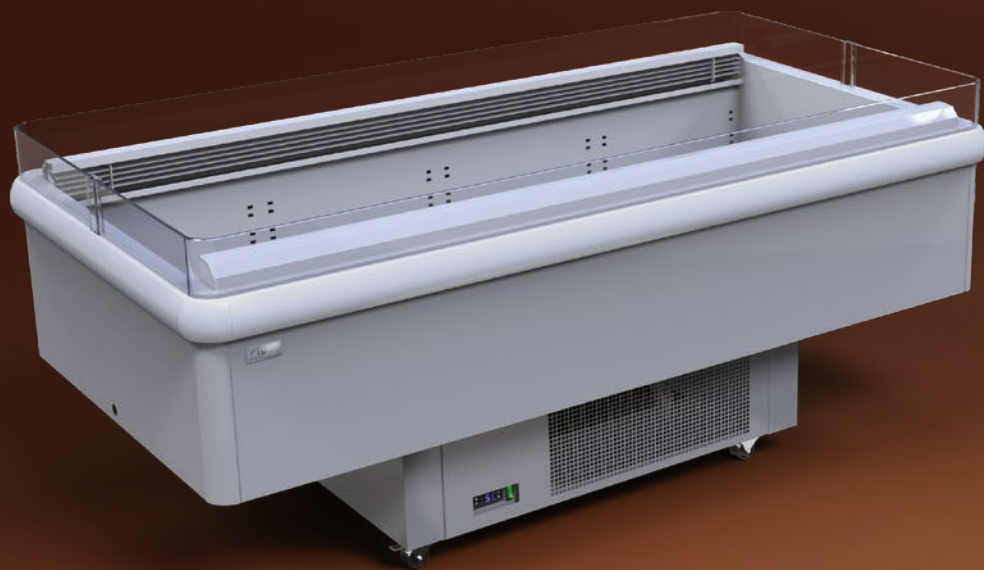




# Islands

These are best adapted for spaces, where you do not want to obscure the view. We constantly improve the design of our equipment and we managed to create better side visibility, easier combining into lines, better service access for some parts and better design capabilities with painted vertical corner profiles.

# Pamir

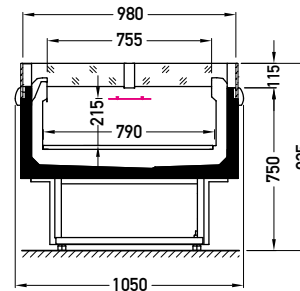


108

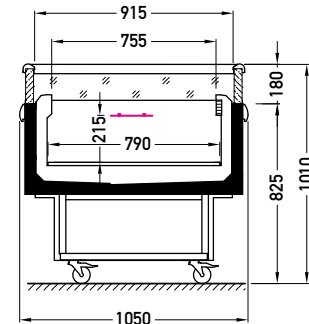


# PLUG-IN

The picture shows WDP-2,0-01 (plexi glass)



WDP-01 (plexi glass)



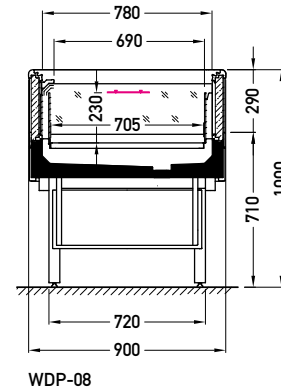
WNP-01 (triple glass)

# Pamir

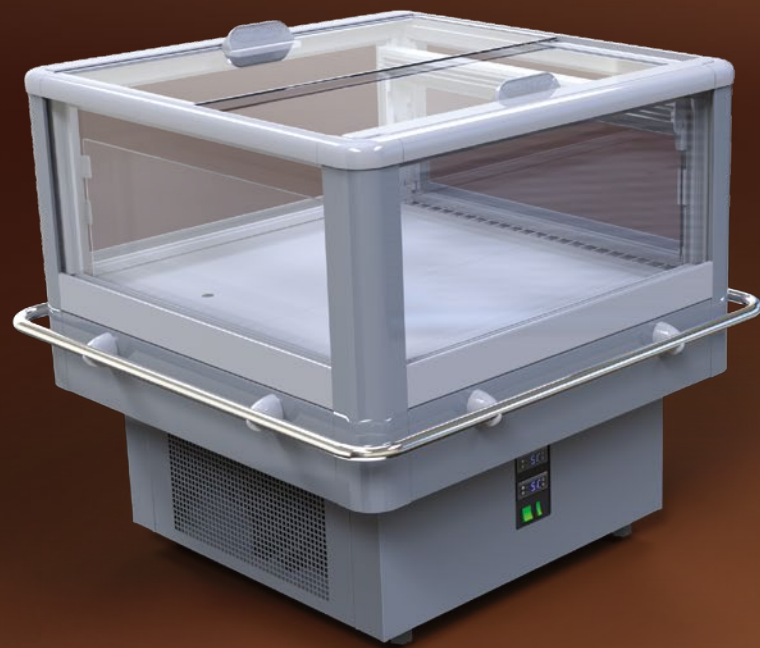


110

# PLUG-IN



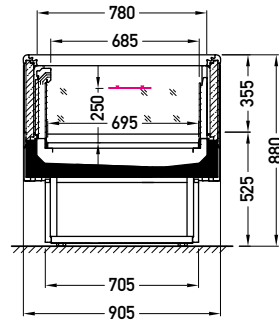
# Pamir



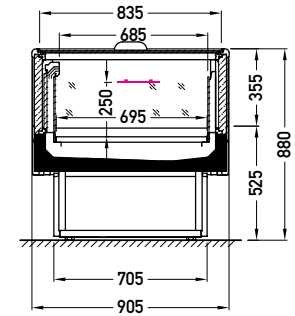
112

# PLUG-IN

The picture shows WNP-0.9-09

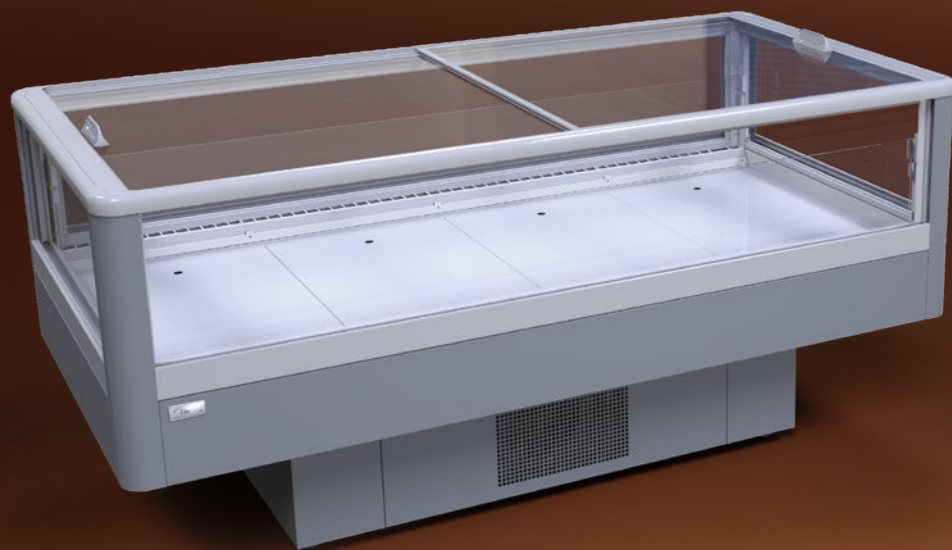


WDP-09



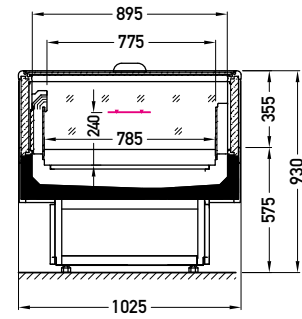
WNP-09

# Pamir



114

# PLUG-IN



WNP-04 ECO

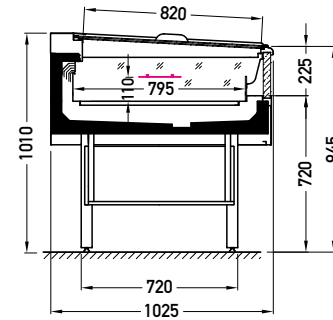


# Pamir



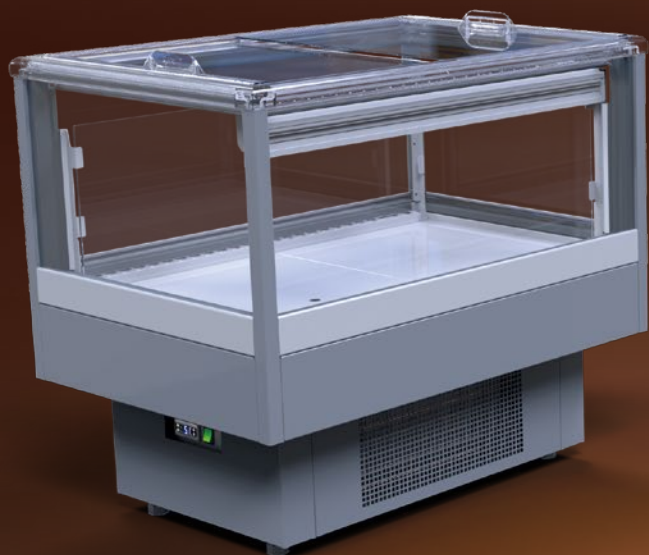
116

# PLUG-IN



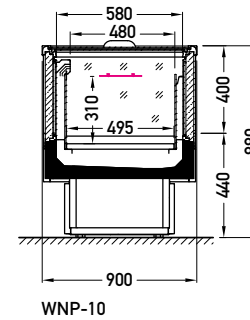
WNP-07

# Pamir

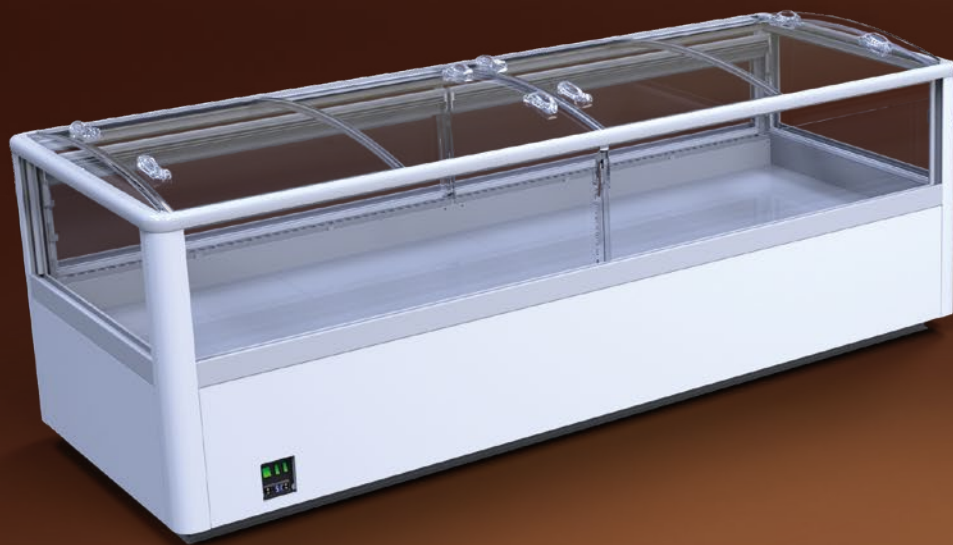


118

# PLUG-IN

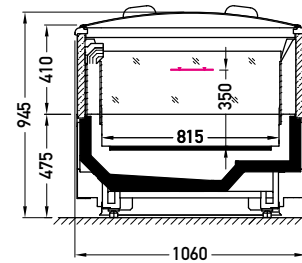


# Idea



120

# PLUG-IN



WNI-05

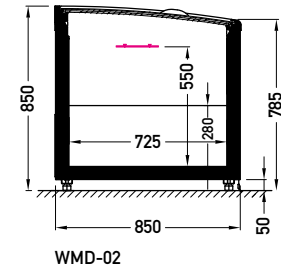
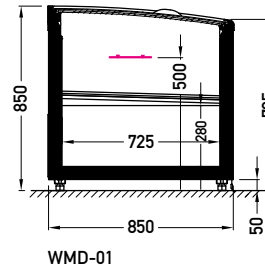
# Dolomiti



122

# PLUG-IN

The picture shows WMD-2.5-01



modules	WMD-01	1.85	2.1	2.5	G1
modules	WMD-02	1.85	2.1	2.5	



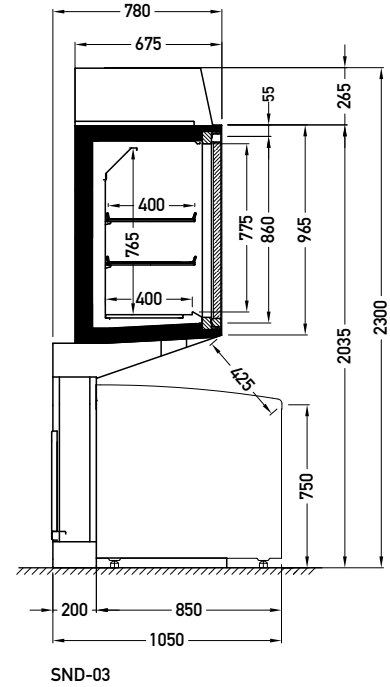
# Superstructure



124

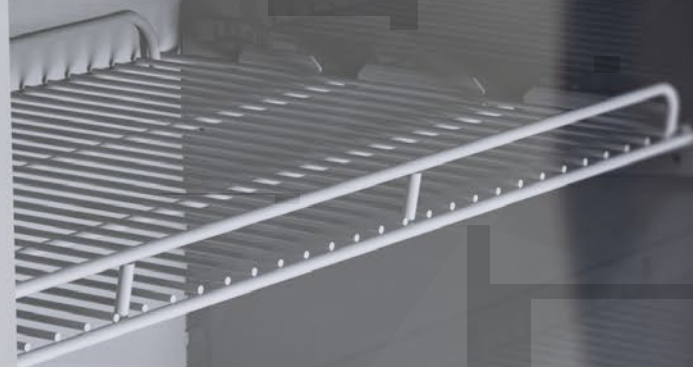
# PLUG-IN

The picture shows set of SND-2.5-03 with WMD-2.5-01



**LIGHTED**

ADVERTISING TOPER





# Cabinets and Mix Cabinets

It is typically people with busy lifestyles who are shopping for frozen products. Good arrangement of a store can save a lot of time while shopping. That is why design of our cabinets is about good visibility and ergonomics. Easy to choose – easy to reach. But when there is no perfect match for interior requirements, then the only solution is to mix. Our line of mix cabinets is a customized solution, so you do not have to compromise anymore – you just have a broad range of equipment to choose from.

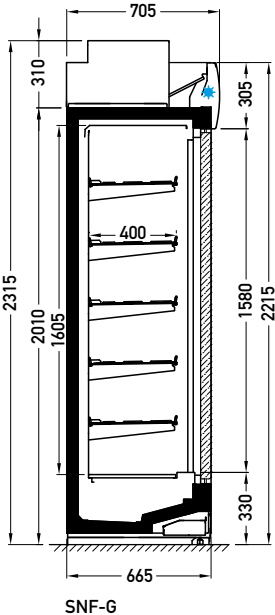
# Forez



128

# PLUG-IN

The picture shows SNF-0,795-G1



G1- 0.795 G2 - 1.564

modules

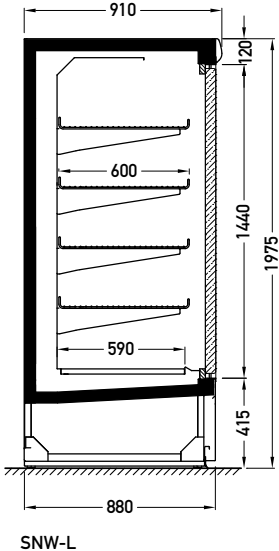
# Wetar



130

# PLUG-IN

The picture shows WNW-1.564-L2



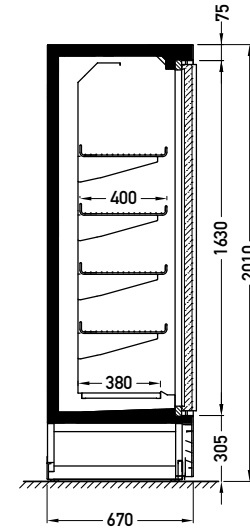


# Wetar



132

# PLUG-IN



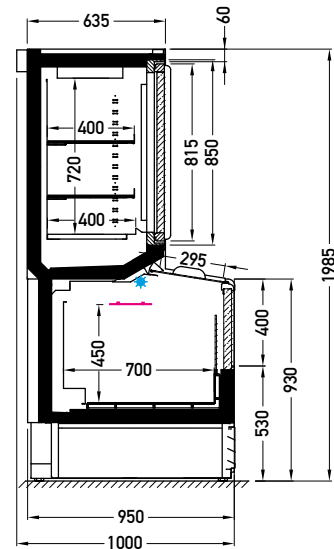
SNW-02

# Weno

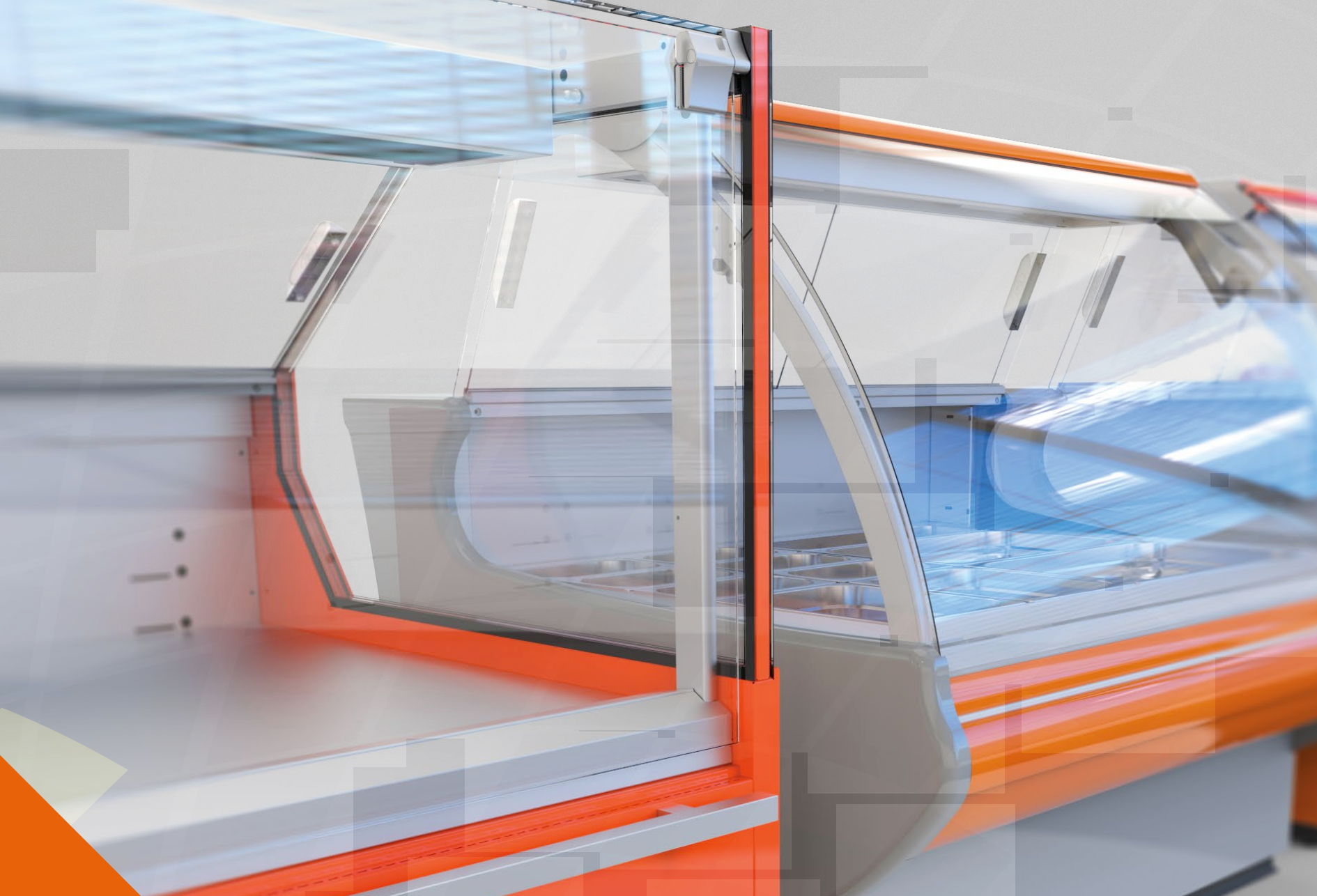


134

# PLUG-IN



MNW-01





# Hot Cases



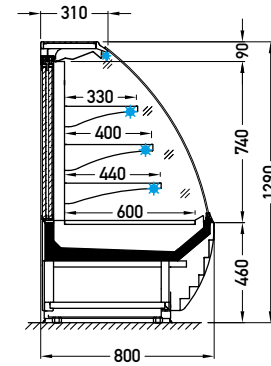
Ideal for the busy restaurant or food service outlet, our range of hot cases use hot lamps, heated elements or Bain Marie's and can be multiplexed with chilled counters from the same range.

# Hot Cases



138

# PLUG-IN



RGE-01

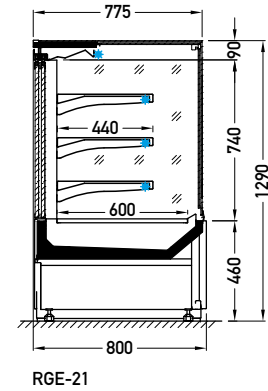


# Hot Cases



140

# PLUG-IN

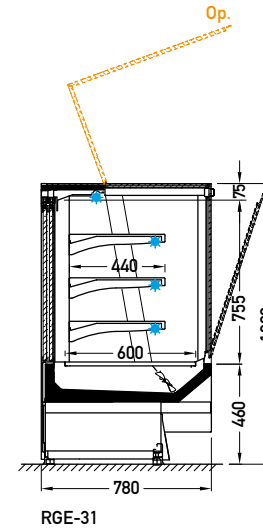


# Hot Cases



142

# PLUG-IN



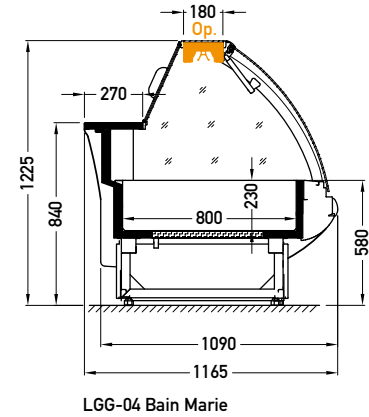
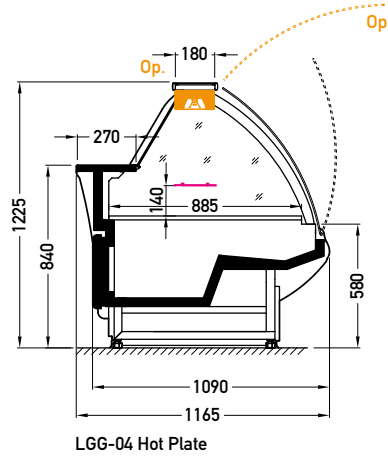
# Hot Cases



144

# PLUG-IN

The picture shows LGG-1.25-04 Bain Marie



modules	HOT PLATE	1.25	2.5
modules	BAIN MARIE	1.25	1.875 2.5

# Hot Cases

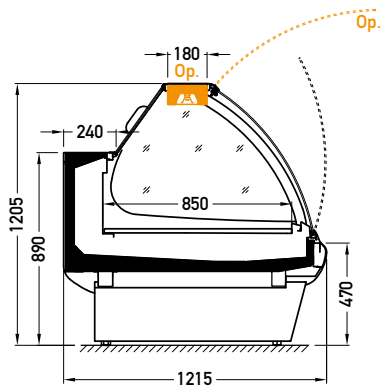


146

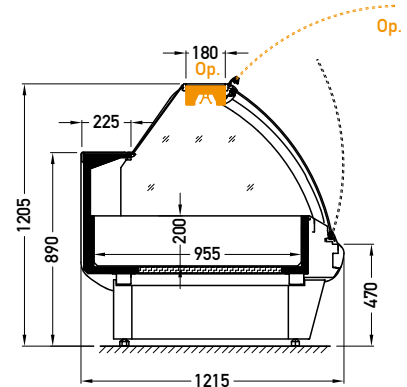


# PLUG-IN

The picture shows LGL-1.25-07 Bain Marie



LGL-07 Hot Plate



LGL-07 Bain Marie

modules	HOT PLATE	0.938	1.25
modules	BAIN MARIE	0.938	1.25 1.875

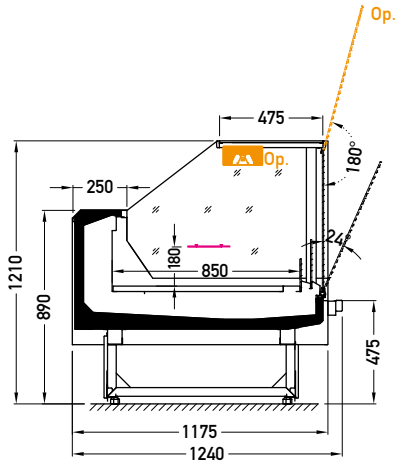
# Hot Cases



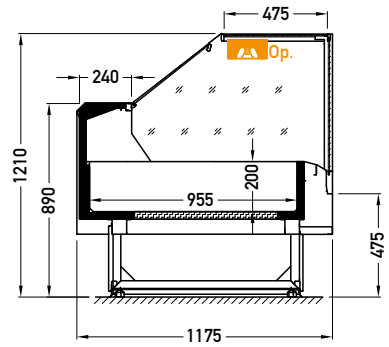
148

# PLUG-IN

The picture shows LGL-1,25-27 Hot Plate



LGL-27 Hot Plate



LGL-27 Bain Marie

modules	HOT PLATE	1.25	1.875	2.5	
modules	BAIN MARIE	0.625	0.938	1.25	1.875

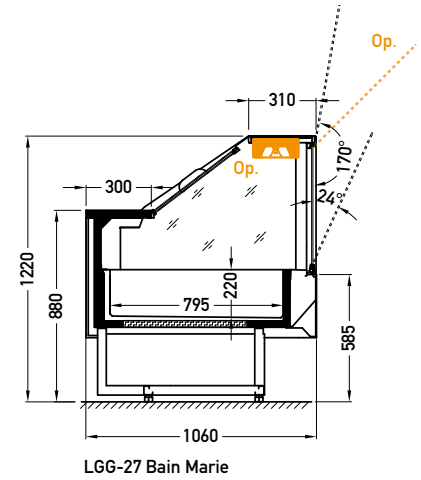
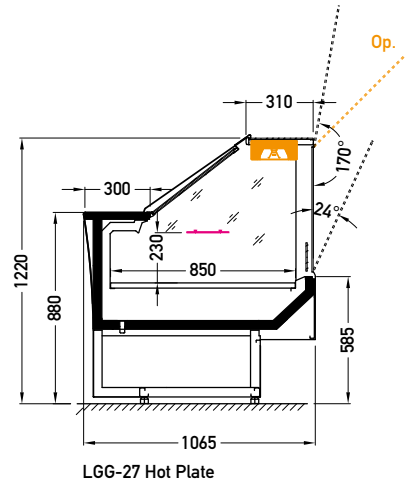
# Hot Cases



150

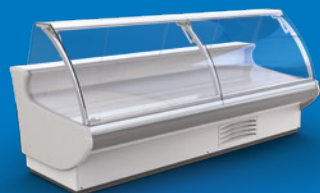
# PLUG-IN

The picture shows LGG-1.25-27 Bain Marie

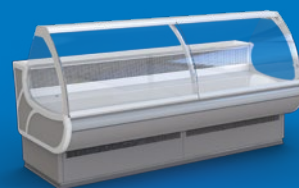


# COUNTERS

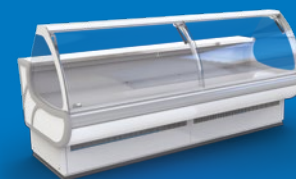
pp. 5-23



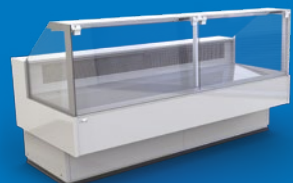
Grazia LDG-[module]-04



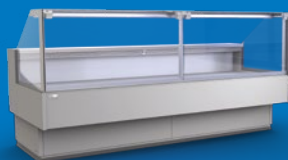
Grazia LDG-[module]-05/06



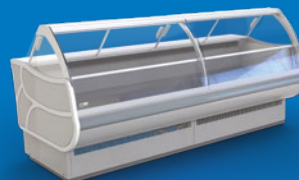
Grazia LDG-[module]-07



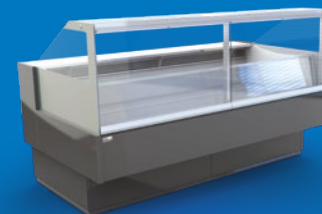
Grazia LDG-[module]-25



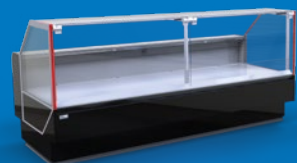
Grazia LDG-[module]-27



Grazia LNG-[module]-05



Grazia LNG-[module]-25



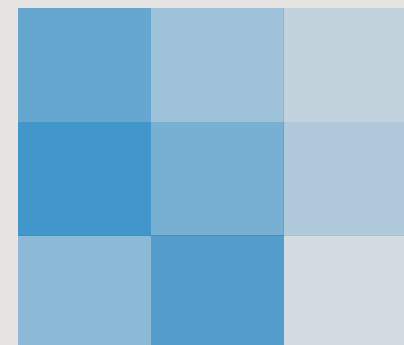
Lhotse LDL-[module]-37z



Holland LDH-[module]-16



Galaxy MDG-[module]-03



# PASTRY LINE

pp. 27-41



Elegant RDE-(module)-01



Elegant RDE-(module)-02



Elegant RDE-(module)-04



Elegant RDE-(module)-21



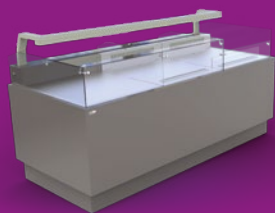
Elegant RDE-(module)-22



Elegant RDE-(module)-31



Elegant RDE-(module)-33/35



Galaxy MDG-(module)-01/02

# MULTIDECKS

pp. 45-69



Medium RDM-(module)-10



Medium RDM-(module)-15





Medium RDM-[module]-16



Medium RDM-[module]-17



Medium RDM-[module]-18



Medium RDM-[module]-19



Medium RDM-[module]-20



Medium RDM-[module]-21



Kaukaz RDK-[module]-11



Kaukaz RDK-[module]-15



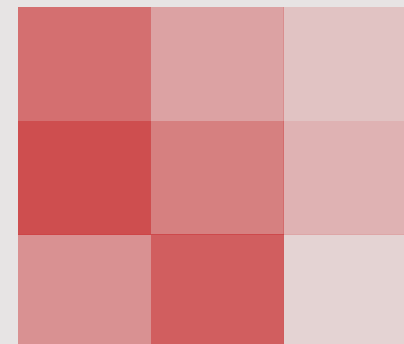
Tarcoola RDT-[module]-L2



Laki RDL-[module]-S1



Gerlach RDG-[module]-L4z



# SEMI VERTICAL MULTIDECKS

pp. 73-77



Atlanta RDA-(module)-10



Atlanta RDA-(module)-20



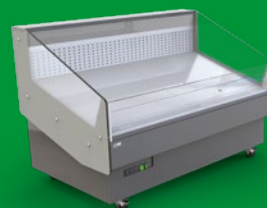
Andy RDA-(module)-15

# PROMOTION

pp. 81-105



Fidzi LDF-(module)-07/13



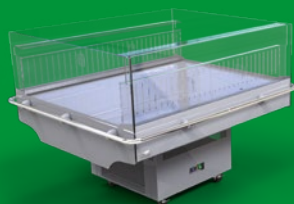
Fidzi LDF-(module)-11



Fidzi LDF-(module)-12



Fidzi LDF-(module)-15



Fidzi LDF-(module)-16



Fidzi LDF-(module)-17



Fidzi LDF-(module)-18



Fidzi LDF-(module)-19



Fidzi LDF-(module)-20



Fidzi LDF-(module)-21



Fidzi LDF-(module)-22



Fidzi LDF-(module)-25



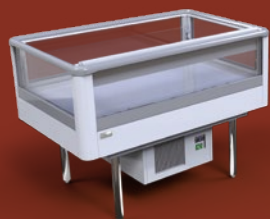
Fidzi LSF-(module)-06

## ISLANDS

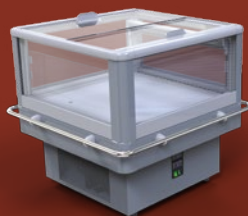
pp. 109-125



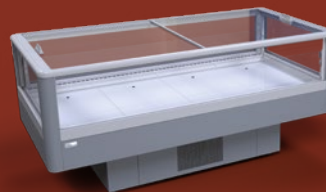
Pamir WDP/WNP-(module)-01



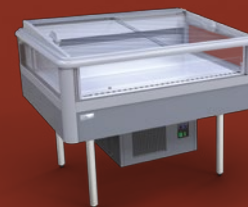
Pamir WDP-(module)-08



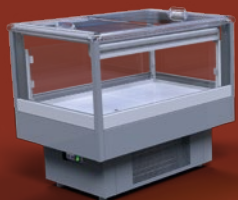
Pamir WDP/WNP-(module)-09



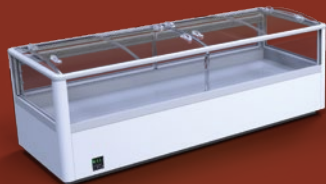
Pamir WNP-(module)-04



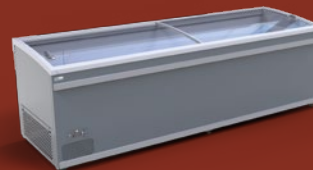
Pamir WNP-(module)-07



Pamir WNP-(module)-10



Idea WNI-(module)-05



Dolomiti WMD-(module)-01/02



Superstructure

## CABINETS and MIX CABINETS

pp. 129-135



Forez SNF-(module)-G1/G2



Wetar SNW/SDW-(module)-L2/L3



Wetar SNW-(module)-02



Weno MNW-(module)-01

## HOT CASES

pp. 139-151



Hot Cases RGE-(module)-01



Hot Cases RGE-(module)-21



Hot Cases RGE-[module]-31



Hot Cases LGG-[module]-04



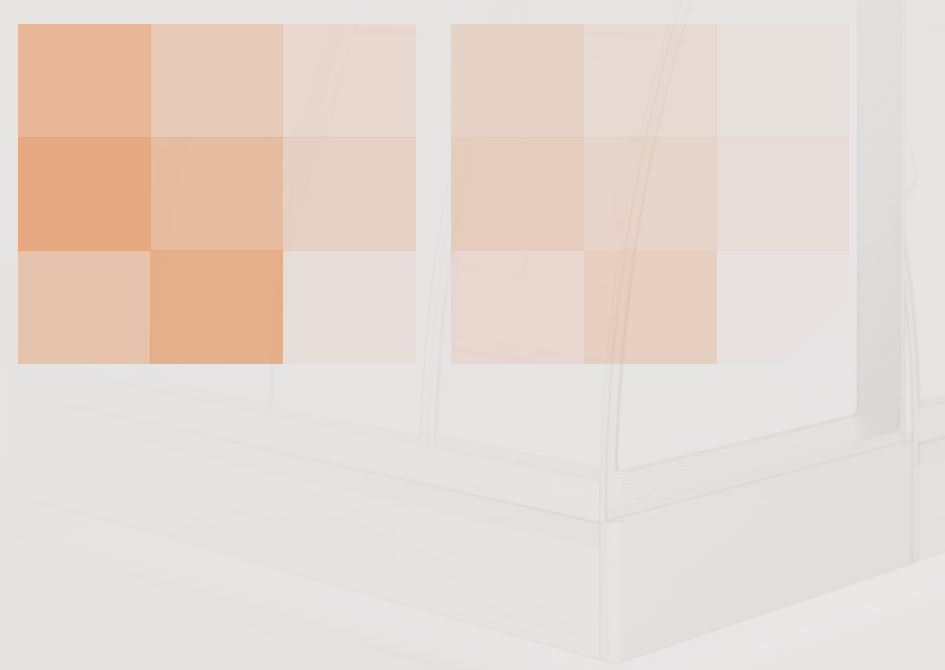
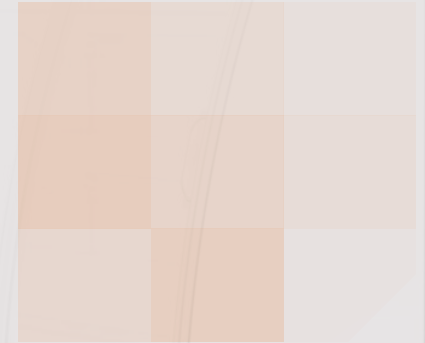
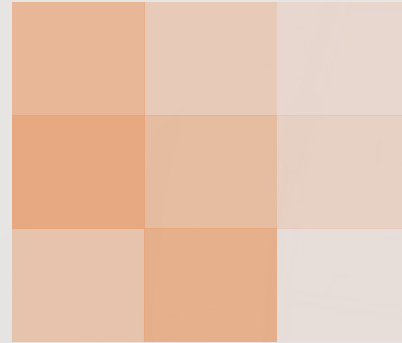
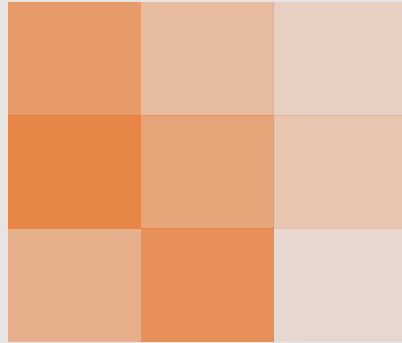
Hot Cases LGL-[module]-07



Hot Cases LGL-[module]-27



Hot Cases LGG-[module]-27









Plug-in - REFRIGERANTS

NATURAL (hydrocarbons)		HFO				HFC		
<b>R290</b>	<b>R600A</b>	<b>R455A</b>	<b>R448A</b>	<b>R449A</b>	<b>R450A</b>	<b>R134A</b>	<b>R407F</b>	<b>R404A</b>
NO TIME LIMITS		by 2022 yr				by 2020 yr		
GLOBAL WARMING POTENTIAL								
<b>3</b>	<b>3</b>	<b>146</b>	<b>1273</b>	<b>1282</b>	<b>547</b>	<b>1300</b>	<b>1674</b>	<b>3943</b>

Minimum 50 g and maximum 2990 g – this is the quantity of refrigerant we can use in our equipment. Attention! Proper work of the equipment depends on factors mentioned above. Amount of refrigerant depends on type, model and dimensions of cabinet. For detailed information please contact the Sales Department.

Products shown in the catalogue are just examples and do not constitute an offer as such. The manufacturer reserves the right to alter the features and technical specifications of its products. If it is not clearly defined temperature ranges presented in this document are for shop conditions (20C/50RH).



[www.jbg2.com](http://www.jbg2.com)

**Office:**

**E:** info@jbg2.com  
**T:** +48 32 494 00 00

**JBG-2 Sp. z o.o.** ul. Gajowa 5, 43-254 Warszowice

